



**Better FTTx,
Better Life.**

HDPE Silicon Core Pipe End Stop Coupler (YX,FCST-ERSB25~50mm)

M:+86 18720624696

Email:sales@fcst.com

Tel:+86-21-38726791 38726792

Web:www.fcst.com www.micro-duct.com



Product Overview

The HDPE Silicon Core Pipe End Stop Coupler, Experience the same fast and easy installation of our Push-Lock couplers now with a new, clear body design. Simply push the duct ends into the coupler for a locked and air-sealed assembly. The non-metallic construction provides excellent corrosion resistance in buried or encased applications and also has desirable dielectric properties.

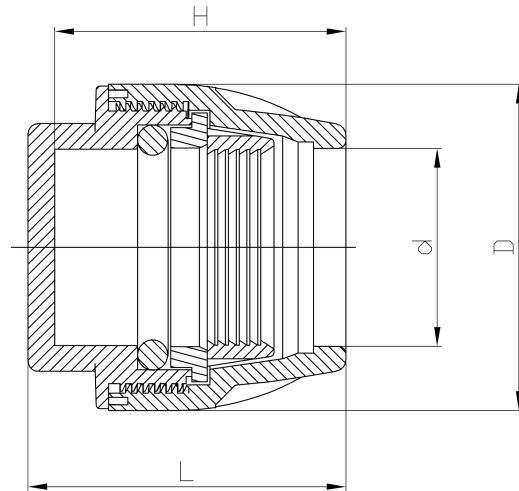
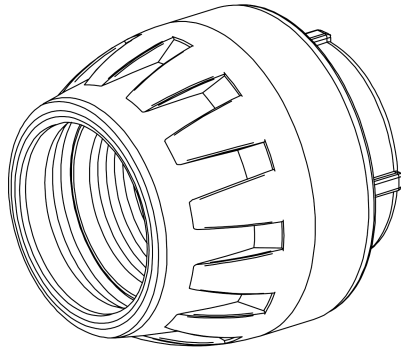
Product Advantages

- Pre-lubricated O-ring is water-tight and air-tight.
- Suitable for both cable pulling & jetting applications.
- Simple, one person 'push-on' assembly lowers installation costs.
- Self-locking ring design assembles in seconds and is re-enterable.
- High strength molded plastic body is ideal for buried duct applications.
- The visual confirmation of the pipe within the coupler ensures that it has been properly seated at the center stop.

Product Specifications

Construction	Description
Material	PP
Reference Standard	JT/T496-2004、 Q/KL020-2005
Appearance	Surface gloss, no impurities, no flash, no bubbles, no cracks, complete thread.
Tensile Resistance (Under Tightened State)	≥4300N
Weight	53.5 g (32mm)
High Temperature Resistance	-40℃~+65℃

Ordering Information



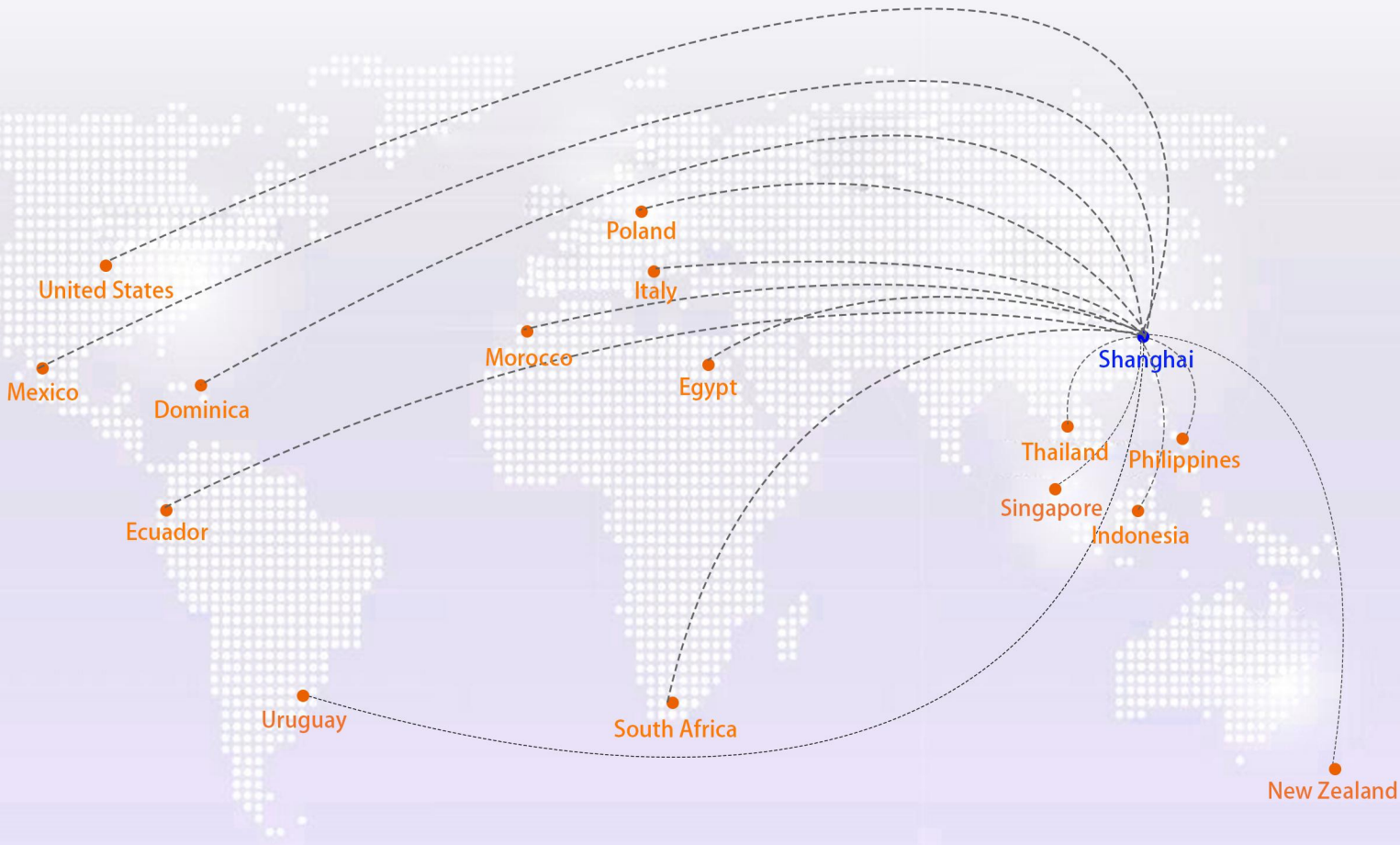
Model	D	d	H	L	Weight (g)
FCST-ERSB25	48.5±0.5	26±0.5	45±1	49±1	34.4±0.1
FCST-ERSB32	56.5±0.5	33±0.5	54±1	58±1	53.5±0.1
FCST-ERSB40	70.5±0.5	41.5±0.5	70±1	73±1	105.9±0.1
FCST-ERSB50	84.5±0.5	51.5±0.5	74±1	81±1	172.9±0.1

Related Products

			
<u>Fiber Blowing Machines</u>	<u>Air Blowing Micro Cable</u>	<u>Micro Duct Connector</u>	<u>Micro-duct</u>



Fiber Cable Solution Technology Co.,Ltd.



Overseas Agency

www.fcst.com www.micro-duct.com



FCST - Better FTTx, Better Life.

We offer 4 solutions

- FTTH ODN Solution
- Underground Cable Installation Solution
- Aerial Cable Installation Solution
- Fiber Tools & Test Solution

As a FTTx solution supplier, we can also do ODM according to project. We will continue to innovate and contribute more to the construction of the global optical fiber network.

Rm402 block A Watts gallop tower No.2816 YiXian Rd, BaoShan District, Shanghai 200441.

Tel:+86-21-38726791 +86-21-38726792 Fax:+86-21-38726793

M:+86 18720624696 Email:sales@fcst.com